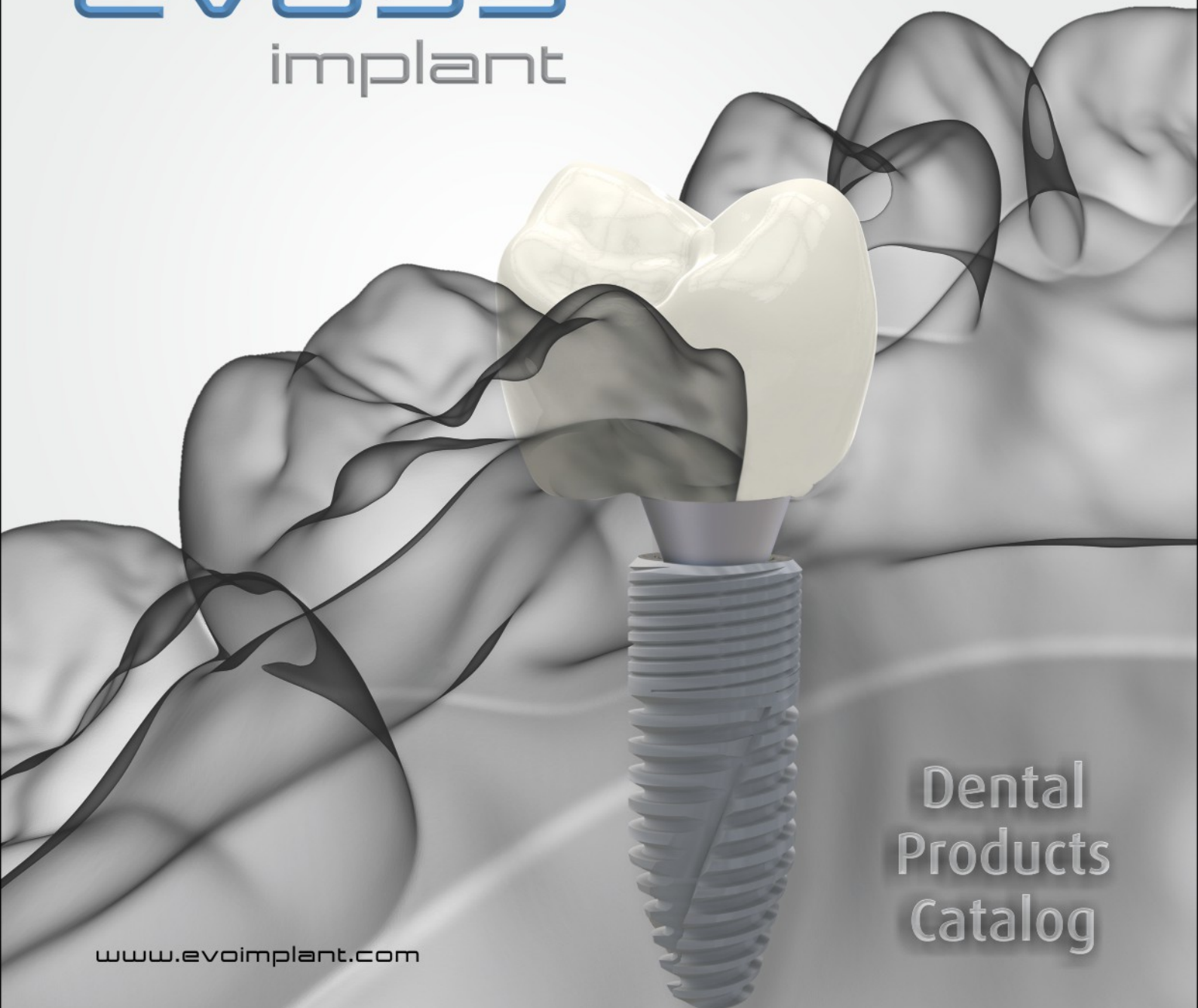


just smile with
evoss
implant



Dental
Products
Catalog

www.evoimplant.com

just smile with
evoss
implant



implants

İmplant Dünyasında
yeni bir sayfa açın



İmplant Yapısı

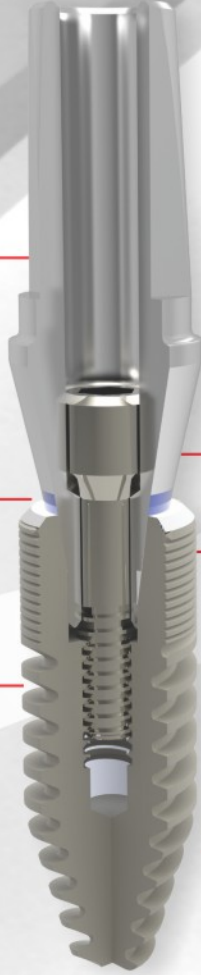
İmplant Form

EvoSoft

1- Tek Platform
Single Platform

3- Platform Switching
Platform Switching

5- Çift Hatve
Double Thread



2- Çift Vida
Double Screw

4- Konik Hex Bağlantı
Conic Hex Connection

6- Diş Kökü Formu
Root Structure

1- Tek Platform : EvoSoft ve EvoPlus İmplantlar tek bir üst yapı platformundadır.

Single Platform : Evosoft and EvoPlus Implants are have the the same platform.

2- Çift Vida : Vida deformasyonunu ortadan kaldırmak için hekim ve laboratuvar için iki ayrı vida verilmektedir.

Double Screw : Providing two seperate screw to eliminate deformed screw using in operation.

3- Platform Switching: Kemik kaybını önler ve uzun vadeli biyomekanik stabilite sağlar.

Platform Switching: Reduces bone loss and allows long term biomechanical stability.

EvoPlus

1- Tek Platform
Single Platform

3- Platform Switching
Platform Switching

5- Çift Hatve
Double Thread



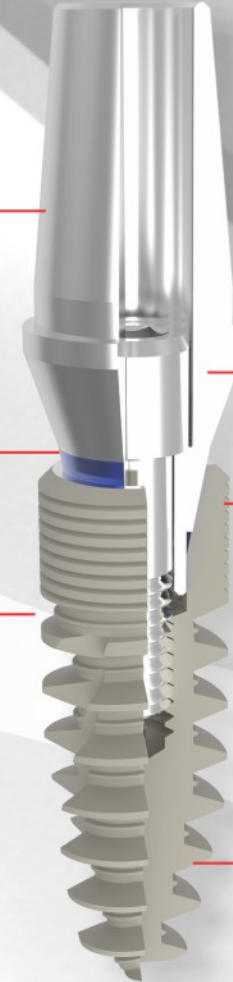
İmplant Yapısı

İmplant Form

2- Çift Vida
Double Screw

4- Konik Hex Bağlantı
Conic Hex Connection

6- Diş Kökü Formu
Root Structure



4- Konik Hex Bağlantı: İmplant-abutment bağlantısını soğuk kaynak oluşturarak, vida ve boyun kırılmalarını engeller, arada boşluk bırakmayarak enfeksiyon riskini minimize eder.

Conical Hex Connection: Ensures cold welding between implant-prosthetic connection by Morse locking and eliminates screw and sholder breakage, and minimizes infections.

5- Çift Hatve: Primer-stabilite sağlar ve implant yerleştirmede zaman ve mekanik kolaylık sağlar.

Double Tread: Provides primer-stability and enables mechanical softness and reduces insertion duration.

6- Diş Kökü Formu: Apeks bölgesinde konik olarak elde edilen diş kökü formu sayesinde, yatay ve dikey kuvvetlerin kemik içinde eşit dağılımı sağlanmıştır.

Root Structure: Horizontal and vertical forces distributed uniformly in bone by means of conical tooth root formation.

EvoSoft

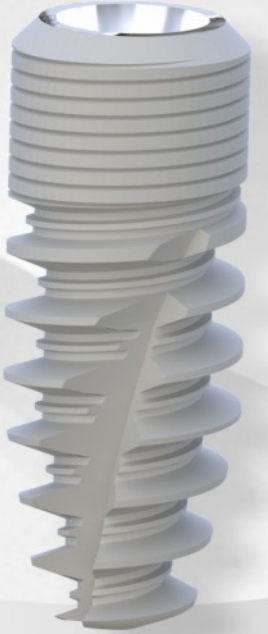


Material :
Grade-4 Titanium

	7 mm	8,5 mm	10 mm	11,5 mm	13 mm	15 mm
Ø 3,4		•	•	•	•	•
Ø 3,8		•	•	•	•	•
Ø 4,2	•	•	•	•	•	•
Ø 4,8	•	•	•	•	•	•
Ø 5,5	•	•	•	•	•	•

SLA Yüzey / Sandblasted and Double Acid-Etched Surface
Konik Bağlantı / Conical Connection
Platform Switching
Internal Konik HEX / Hex Indexing
Diş Kökü Formu / Tooth Root Formation
Mükemmel Primary Stability / Excellent Primary Stability

EvoPlus



Material :
Grade-4 Titanium

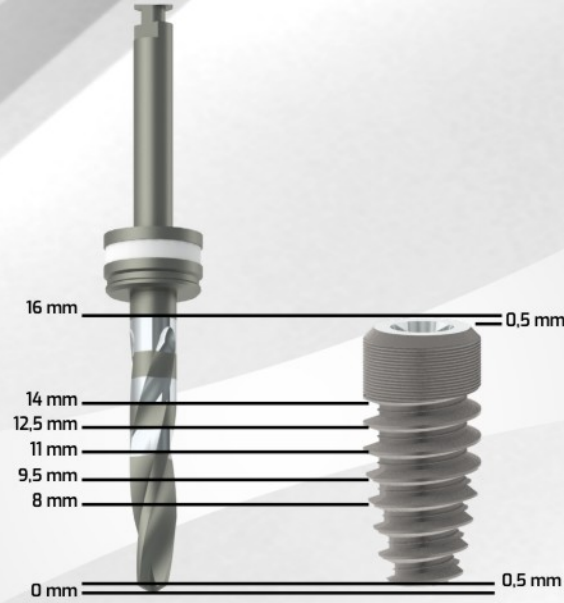
	8,5 mm	10 mm	11,5 mm	13 mm	15 mm
Ø 3,5	•	•	•	•	•
Ø 4,0	•	•	•	•	•
Ø 4,5	•	•	•	•	•
Ø 5,0	•	•	•	•	•

SLA Yüzey / Sandblasted and Double Acid-Etched Surface
Konik Bağlantı / Conical Connection
Platform Switching
Internal Konik HEX / Hex Indexing
Diş Kökü Formu / Tooth Root Formation
Mükemmel Primary Stability / Excellent Primary Stability

Cerrahi Protokol

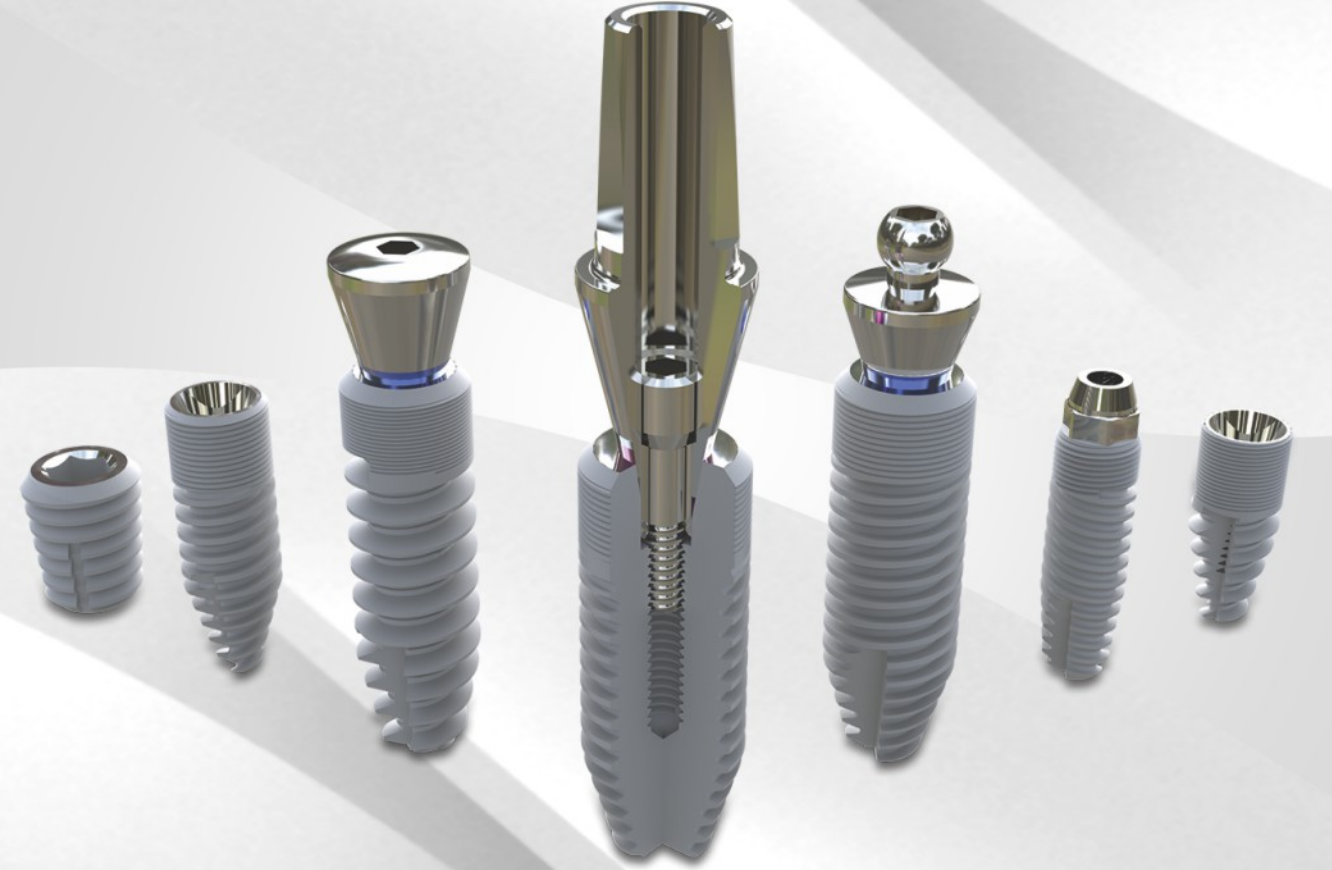
Operation Protocol

EvoSoft			
Implant Diameter	Soft Bone D4	Medium Bone D2-D3	Dense Bone D1
3,2	2,2	2,2	2,2
		3,2	3,2
			CB Drill
3,4	2,2	2,2	2,2
	3,2	3,2	3,2
		3,4	3,4
			CB Drill
3,8	2,2	2,2	2,2
	3,2	3,2	3,2
	3,4	3,4	3,4
		3,8	3,8
			CB Drill
4,2	2,2	2,2	2,2
	3,2	3,2	3,2
	3,4	3,4	3,4
	3,8	3,8	3,8
		4,2	4,2
			CB Drill
4,8	2,2	2,2	2,2
	3,2	3,2	3,2
	3,4	3,4	3,4
	3,8	3,8	3,8
	4,2	4,2	4,2
	4,8	4,8	
			CB Drill
5,5	2,2	2,2	2,2
	3,2	3,2	3,2
	3,4	3,4	3,4
	3,8	3,8	3,8
	4,2	4,2	4,2
	4,8	4,8	4,8
		5,5	5,5
			CB Drill



COLORS / RENKLER	EvoSoft	EvoPlus
Renksiz / Colorless	2,2	2,2
Beyaz / White	3,2	3,0
Kahverengi / Brown	3,4	
Sarı / Yellow	3,8	3,5
Yeşil / Green	4,2	4,0
Mavi / Blue	4,8	4,5
Mor / Purple	5,5	5,0

EvoPlus			
Implant Diameter	Soft Bone D4	Medium Bone D2-D3	Dense Bone D1
3,0	2,2	2,2	2,2
		3,0	3,0
			CB Drill
3,5	2,2	2,2	2,2
	3,0	3,0	3,0
		3,5	3,5
			CB Drill
4,0	2,2	2,2	2,2
	3,0	3,0	3,0
	3,5	3,5	3,5
		4,0	4,0
			CB Drill
4,5	2,2	2,2	2,2
	3,0	3,0	3,0
	3,5	3,5	3,5
	4,0	4,0	4,0
		4,5	4,5
			CB Drill
5,0	2,2	2,2	2,2
	3,0	3,0	3,0
	3,5	3,5	3,5
	4,0	4,0	4,0
	4,5	4,5	4,5
	5,0	5,0	
			CB Drill

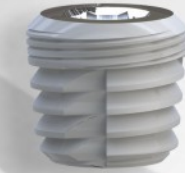


EvoShort

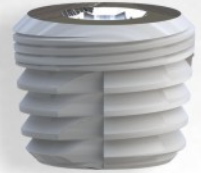
	5 mm	6 mm	7 mm
Ø 4,8	•	•	•
Ø 5,5	•	•	•
Ø 6,2	•	•	•



Ø 4,8



Ø 5,5



Ø 6,2

SLA Yüzey / Sandblasted and Double Acid-Etched Surface
Internal Konik HEX/ Hex Indexing

Material :
Grade-4 Titanium

EvoSlim



Material :
Grade-4 Titanium

SLA Yüzey / Sandblasted and Double Acid-Etched Surface
Konik External Hex Bağlantı / External Conical Hex Connection
Diş Kökü Formu / Tooth Root Formation

Agresif İmplant / Aggressive Implant

	7 mm	8,5 mm	10 mm	11,5 mm	13 mm	15 mm
Ø 3,0	•	•	•	•	•	•

Pasif İmplant / Passive Implant

	7 mm	8,5 mm	10 mm	11,5 mm	13 mm	15 mm
Ø 3,2	•	•	•	•	•	•

Abutmentler

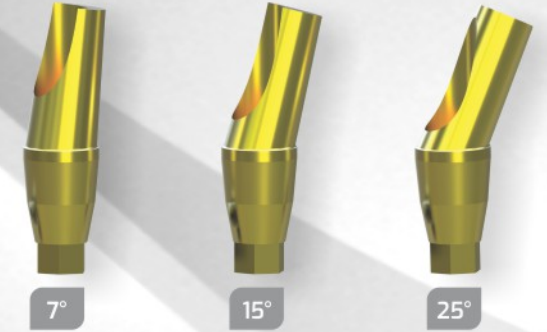
Abutments



Açılı Abutmentler Angled Abutments

Ø 3,5	1 mm	2 mm	3 mm	4 mm	5 mm
7°	•	•	•	•	•
15°	•	•	•	•	•
25°	•	•	•	•	•

EvoSoft ve EvoPlus İmplantlarla Uyumludur
Matches with EvoSoft and EvoPlus Implants
TIGHTENING: 20 Ncm with torque ratched



Material :
Grade-5 Titanium



Ø 4,5	1 mm	2 mm	3 mm	4 mm	5 mm
7°	•	•	•	•	•
15°	•	•	•	•	•
25°	•	•	•	•	•

Material : Grade-5 Titanium

Ø 5,5	1 mm	2 mm	3 mm	4 mm	5 mm
7°	•	•	•	•	•
15°	•	•	•	•	•
25°	•	•	•	•	•



Solid Abutmentler

Solid Abutments



Material :
Grade-5 Titanium

		1 mm	2 mm	3 mm	4 mm	5 mm	6 mm
Ø 4,5	4 mm	•	•	•	•	•	•
	8 mm	•	•	•	•	•	•



		1 mm	2 mm	3 mm	4 mm	5 mm	6 mm
Ø 5,5	4 mm	•	•	•	•	•	•
	8 mm	•	•	•	•	•	•

EvoSoft ve EvoPlus İmplantlarla Uyumludur
Matches with EvoSoft and EvoPlus Implants
TIGHTENING: 20 Ncm with torque ratched

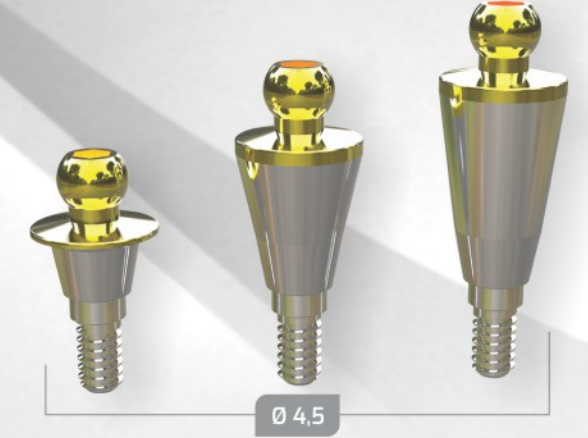
Ball Abutmentler

Ball Abutments



Material : Grade-5 Titanium

		1 mm	2 mm	3 mm	4 mm	5 mm	6 mm
Ø 4,5	•	•	•	•	•	•	•



Açılı Ball Abutmentler

Angled Ball Abutments

EvoSoft ve EvoPlus İmplantlarla Uyumludur
Matches with EvoSoft and EvoPlus Implants
TIGHTENING: 20 Ncm with torque ratched



Material :
Grade-5 Titanium

		Ø 4,5	2 mm	4 mm
15°	7°	•	•	•
	15°	•	•	•
	25°	•	•	•

Düz Abutmentler

Straight Abutments

	1 mm	2 mm	3 mm	4 mm	5 mm	6 mm
Ø 3,5	•	•	•	•	•	•
Ø 4,5	•	•	•	•	•	•
Ø 5,5	•	•	•	•	•	•



Ø 3,5



Ø 4,5



Ø 5,5

Material :
Grade-5 Titanium

EvoSoft ve EvoPlus İmplantlarla Uyumludur
Matches with EvoSoft and EvoPlus Implants
TIGHTENING: 20 Ncm with torque ratched

İyileşme Başlıkları

Healing Abutments

Material :
Grade-5 Titanium



Ø 3,5

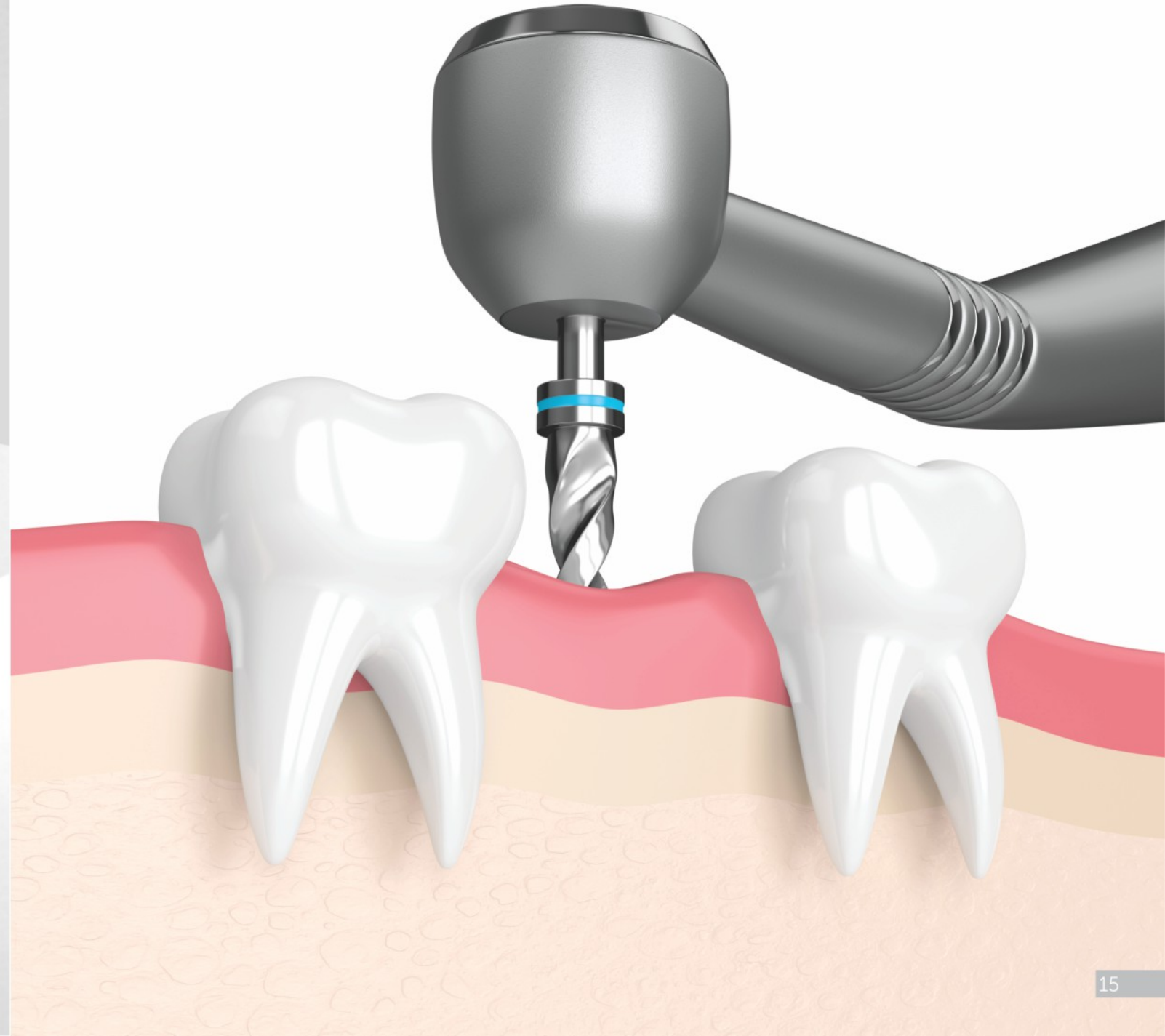


Ø 4,5



Ø 5,5

	1 mm	2 mm	3 mm	4 mm	5 mm	6 mm
Ø 3,5	•	•	•	•	•	•
Ø 4,5	•	•	•	•	•	•
Ø 5,5	•	•	•	•	•	•





just smile

with evoss





Locator Abutmentler

Locator Abutments

	1 mm	2 mm	3 mm	4 mm	5 mm
Ø 4,5	•	•	•	•	•



Material :
Grade-5 Titanium

Açılı Locator Abutmentler

Angled Locator Abutments

EvoSoft ve EvoPlus implantlarla Uyumludur
Matches with EvoSoft and EvoPlus Implants
TIGHTENING: 20 Ncm with torque ratched



15°

Kapak

Kapak (Montaj)

Material :
Grade-5 Titanium

Ø 4,5	2 mm	4 mm
7°	•	•
15°	•	•
25°	•	•

Multi Abutmentler

Multi Abutments

Material :
Grade-5 Titanium



Ø 5,0

Ø 5,0	1 mm	2 mm	3 mm	4 mm	5 mm
	•	•	•	•	•

EvoSoft ve EvoPlus İmplantlarla Uyumludur
Matches with EvoSoft and EvoPlus Implants
TIGHTENING: 20 Ncm with torque ratched

Açılı Multi Abutmentler

Angled Multi Abutments

Ø 5,0	2 mm	4 mm	6 mm
17°	•	•	•
33°	•	•	•

Material :
Grade-5 Titanium



Ø 5,0

EvoSoft ve EvoPlus İmplantlarla Uyumludur
Matches with EvoSoft and EvoPlus Implants
TIGHTENING: 20 Ncm with torque ratched

Multi Abutment Başlıkları

Multi Abutments Caps



Açık Kaşık Transfer

Kapalı Kaşık Transfer

Prostatip Cap Non Hex

Prostatip Cap Hex

Multi Abutment İyileşme Başlığı



Multi Abutment Tarama Kafası Jigi



Castable Multi Abutment Non Hex



Castable Multi Abutment Hex

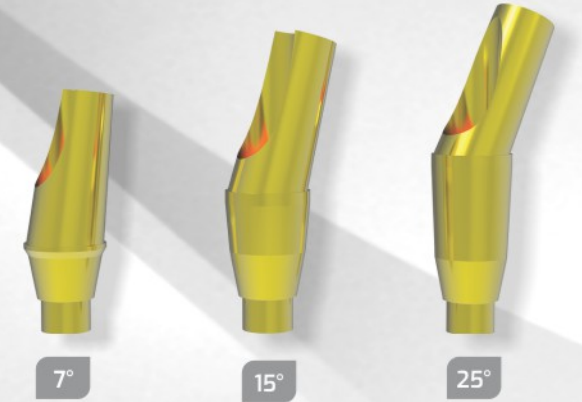


Açılı Abutmentler Non Hex Çap

Angled Abutments Non Hex Index

Ø 3,5	1 mm	2 mm	3 mm	4 mm	5 mm
7°	•	•	•	•	•
15°	•	•	•	•	•
25°	•	•	•	•	•

EvoSoft ve EvoPlus İmplantlarla Uyumludur
Matches with EvoSoft and EvoPlus Implants
TIGHTENING: 20 Ncm with torque ratched



Material :
Grade-5 Titanium



Ø 4,5	1 mm	2 mm	3 mm	4 mm	5 mm
7°	•	•	•	•	•
15°	•	•	•	•	•
25°	•	•	•	•	•

Material : Grade-5 Titanium

Ø 5,5	1 mm	2 mm	3 mm	4 mm	5 mm
7°	•	•	•	•	•
15°	•	•	•	•	•
25°	•	•	•	•	•

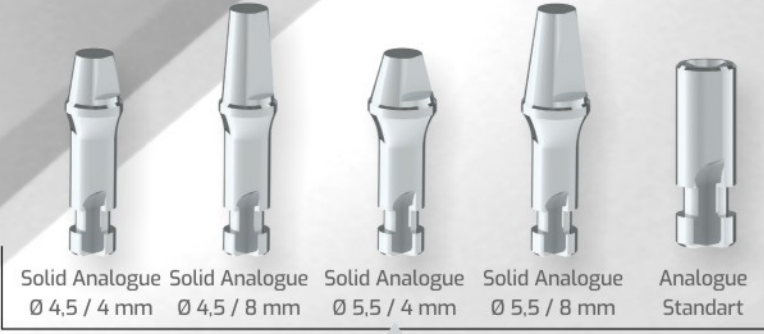


Analoglar / Analogues



Analogue External

EvoSlim İmplantla Uyumludur
Matches with EvoSlim



Solid Analogue \varnothing 4,5 / 4 mm Solid Analogue \varnothing 4,5 / 8 mm Solid Analogue \varnothing 5,5 / 4 mm Solid Analogue \varnothing 5,5 / 8 mm Analogue Standart

Material :
Grade-5 Titanium

EvoSoft ve EvoPlus İmplantlarla Uyumludur
Matches with EvoSoft and EvoPlus Implants



Ball Abutment \varnothing 4,5 Analogue

Tüm İmplantlarla Uyumludur
Matches with all implants



Locator Analogue



Short Analogue

EvoShort İmplantla Uyumludur
Matches with EvoShort

Interface Abutmentler

Interface Abutments



\varnothing 4,5 Non-Hex



\varnothing 4,5 Hex



Interface Plastic

Castable Abutmentler

Castable Abutments



Non-Hex

\varnothing 4,5



Hex

Kapalı Kaşık Ölçü Postu

Closed Tray Transfers



Material :
Grade-5 Titanium



Cap Ölçü Postu
Impression Cap



Evo Ölçü Postu
Evo Transfer



M2 (T3)
Transfer Vidası
Transfer Screw

EvoSoft ve EvoPlus İmplantlarla Uyumludur
Matches with EvoSoft and EvoPlus Implants

Premil Abutment

İmplant Tarama Jigi



Premil Abutment

\varnothing 8

\varnothing 10

\varnothing 12

\varnothing 14

\varnothing 16

Açık Kaşık Ölçü Postu

Open Tray Transfers



Transfer
Open System



M1.6 Transfer
Open System Vidası
Open System Screw

Cerrahi Setler

Surgical Kits



Cerrahi Setler

Surgical Kits



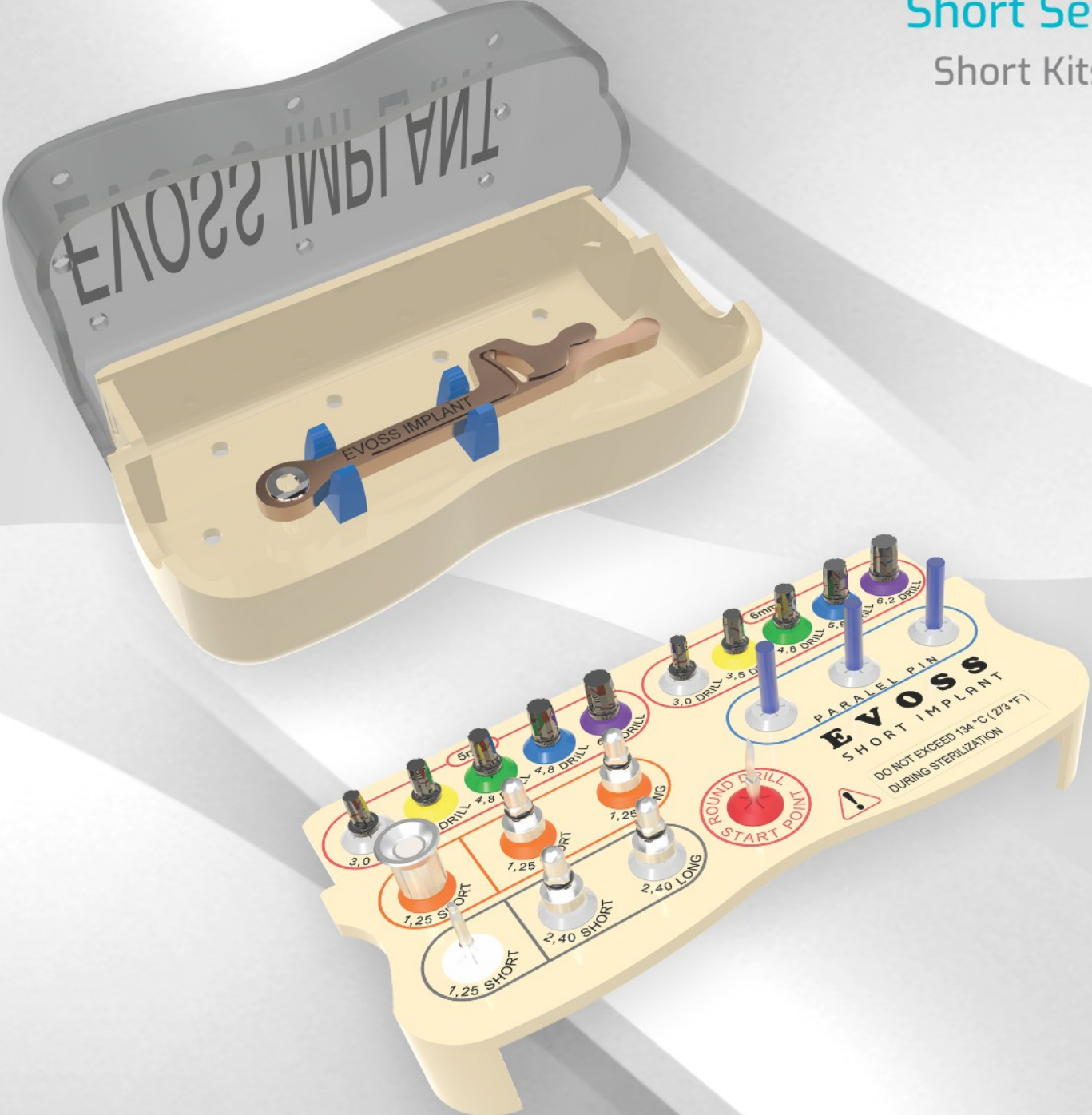
Cerrahi Set İçeriği / Surgical Kit	
İşaretleme frezi Locator Drill	1 adet 1 piece
Frez Drills	7 adet 7 pieces
Boyun Geniřletici Neck Extender Drill	6 adet 6 pieces
Paralel Pim Parallel Pins	4 adet 4 pieces
El için 1.25 hex anahtar 1.25 Hex Driver for Manuel	uzun ve kısa 2 adet long and short 2 pieces
Rařet için hex anahtar Hex Driver for Ratchet	uzun ve kısa 2 adet long and short 2 pieces
Angıldurva için hex anahtar Hex Driver for Angledruva	uzun ve kısa 2 adet long and short 2 pieces
Rařet için implant taşıyıcı Implant Driver for Ratchet	uzun ve kısa 2 adet long and short 2 pieces
Angıldurva için implant taşıyıcı Implant Driver for Angledruva	uzun ve kısa 2 adet long and short 2 pieces
Locator anahtarı Locator Driver	1 adet 1 piece
Slim İmplant Taşıyıcısı EvoSlim Driver	external anahtarı 1 piece
Frez uzatıcı Drill Extender	1 adet 1 piece
Torklu rařet Torque Wrench	1 adet 1 piece
Tornavida Screw Driver	1 adet 1 piece
Stoper Depth Stoppers	6 adet 6 pieces



Cerrahi Setler
Surgical Kits



Short Set
Short Kits



OSTEOTOM Seti

OSTEOTOM Kits



Stoperli Set

Stopper Kits



QUALITY DOCUMENTS



CE₂₁₉₅

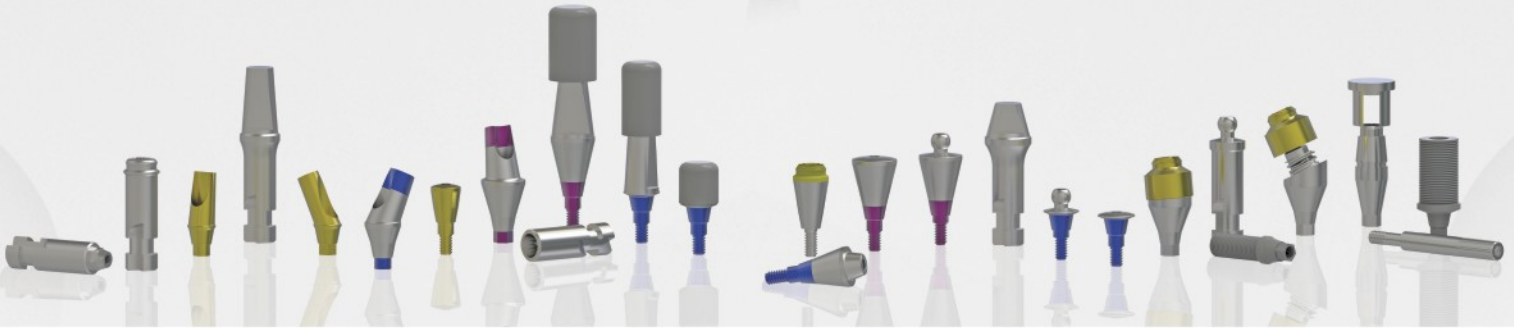


evossimplant



just smile

with evoss



SC Medikal Ürünler San. ve Tic. Ltd. Şti. bir UMUTSAN alt kuruluşudur.

SC Medikal Urunler Sanayi ve Ticaret Ltd. Sti. is a sister company of UMUTSAN Ltd. Sti.

Pancar Mh. Göl Sk. 52/A Torbalı / İZMİR / TÜRKİYE

Phone : +90 232 422 22 86 - 257 66 91 - 257 66 15 - 257 55 64 Fax : 0232 422 22 87 - 257 66 92

www.evoimplant.com

CE₂₁₉₅